
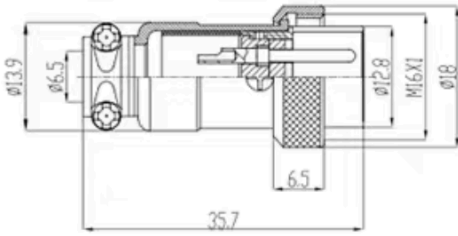

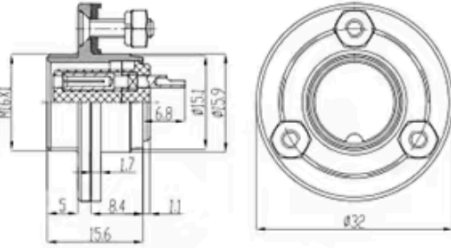
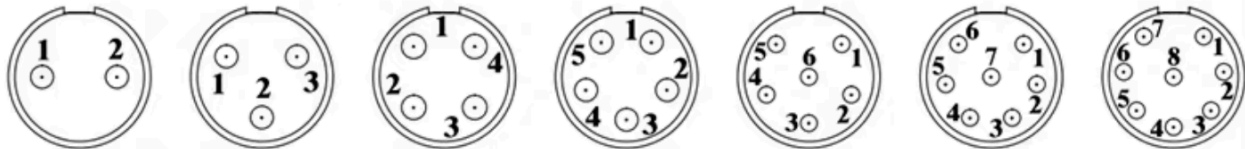


图例 Description-Figure	安装尺寸图 Drawing	芯数 Contacts	订货号 Ordering-NO
<b>反装直式电缆插头</b> Male straight cable plug IP55 		2	16MF-2A
		3	16MF-3A
		4	16MF-4A
		5	16MF-5A
		6	16MF-6A
		7	16MF-7A
		8	16MF-8A

<b>反装三眼法兰插座</b> Female three eyes flange socket IP55 		2	16MF-2E
		3	16MF-3E
		4	16MF-4E
		5	16MF-5E
		6	16MF-6E
		7	16MF-7E
		8	16MF-8E

### 孔位排列 (从针的方向看)

The hole place arranges(Comply with the needle direction)



### 材料和技术方式

Material and specifications

<b>接插方式</b> Coupling	<b>螺纹连接</b> Threaded coupling	<b>接线方式</b> Termination	<b>焊接</b> Solder
<b>外壳材料</b> Shell material	锌基合金 (镀镍) Zinc alloy with nikelplate	<b>接插次数</b> Mating cycle	500 次 500
<b>绝缘体</b> Insert material	电木 bakelite	<b>温度范围</b> Temperature range	-20℃ ~ +85℃
<b>接触体材料</b> Contact material	铜 (镀银 / 金) copper (silverplated/gold)	<b>电缆直径</b> Cable diameter	$\phi 7.5\text{mm} \sim \phi 8.5\text{mm}$

### 技术参数

Technology parameter

芯数 NO.of contacts	2	3	4	5	6	7	8
<b>额定电流 / 电压</b> Rated current/voltage	10A200V	10A200V	10A125V	10A125V	5A125V	5A125V	5A125V
<b>工作电压 (AC.V) 分钟</b> Operation limit voltage(AC.V.rms)	250	250	200	200	200	200	200
<b>耐电压 (AC.V) 分钟</b> Withstanding voltage(AC.V.rms) 1 minute	1000	1500	1500	1500	1500	1500	1500
<b>绝缘阻抗 (MΩ) DC500V</b> Insulation resistance(MΩ MIN.) at DC 500V	1000	1500	1500	1500	1500	1500	1500
<b>接触阻抗 (MΩ) DC1A</b> Contact resistance (MΩ MAX.) AT DC 1A	3	3	3	3	5	5	5
<b>焊杯口径 φ (mm)</b> Solder cup mouth aperture	1.2	1.2	1.2	1.2	0.8	0.8	0.8
<b>接触体孔径 φ (mm)</b> Solder inter diameter	1.6	1.6	1.6	1.6	1.2	1.2	1.2

### 安装方式

Assemble way