

SPECIFICATIONS

- DPDS limit switch for multiple applications.
- Rugged aluminum alloy diecast housing.
- High mechanical strength.
- Oil resistance, waterproof and dust proof structure.

RATINGS

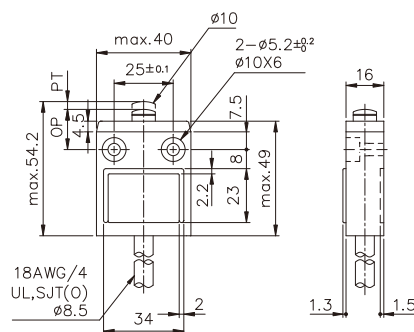
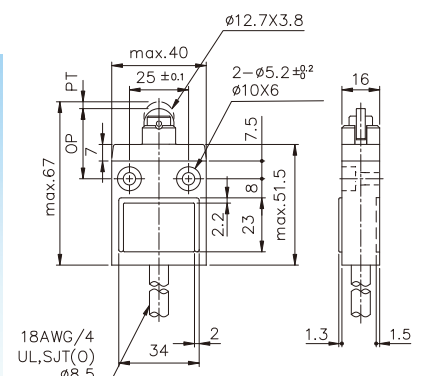
Rated Voltage (V)	Non-inductive load(A)				Inductive load(A)			
	Resistive load		Lamp load		Inductive load		Motor load	
	NC	NO	NC	NO	NC	NO	NC	NO
125VAC	5 (0.1)		1.5	0.7	3		2.5	1.3
250VAC	3		1	0.5	2		1.5	0.8
8VDC	5 (0.1)		2		5	4	3	
14VDC	5 (0.1)		2		4	4	3	
30VDC	4 (0.1)		2		3	3	3	
125VDC	0.4		0.05		0.4		0.05	
250VDC	0.2		0.03		0.2		0.03	

OPERATION CHARACTERISTICS

Type	TZ-3101	TZ-3102	TZ-3103	TZ-3104	TZ-3110
OF Max.	1,200gf(11.77N)	1,200gf(11.77N)	1,200gf(11.77N)	580gf(5.69N)	1,200gf(11.77N)
RF Min.	450gf(4.41N)	450gf(4.41N)	450gf(4.41N)	150gf(1.47N)	450gf(4.41N)
PT Max.	1.8mm	1.8mm	1.8mm	25°	1.8mm
OT Min.	3mm	3mm	3mm	40°	3mm
MD Max.	0.2mm	0.2mm	0.2mm	3°	0.2mm
OP	15.7±1mm	28.5±1mm	28.5±1mm	—	28.5±1mm

Type	TZ-3111	TZ-3112	TZ-3113	TZ-3166	TZ-3169
OF Max.	1,800gf(17.65N)	1,800gf(17.65N)	1,800gf(17.65N)	150gf(1.47N)	150gf(1.47N)
RF Min.	450gf(4.41N)	450gf(4.41N)	450gf(4.41N)	—	—
PT Max.	1.8mm	1.8mm	1.8mm	15°	15°
OT Min.	3mm	3mm	3mm	—	—
MD Max.	0.2mm	0.2mm	0.2mm	—	—
OP	24.9±1mm	34.3±1mm	34.3±1mm	—	—

DIMENSIONS

TZ-3101

TZ-3102


CHARACTERISTICS

Rating	5A 125VAC, 3A 250VAC
Operating speed	1mm~1m/s
Operating frequency	Mechanically: 120 operations/min. Electrically: 30 operations/min.
Contact resistance	15mΩmax - (initial)
Insulation resistance	100MΩmin (at 500VDC)
Dielectric strength	1,000VAC, 50/60Hz, for 1 minute between non-continuous terminals 1,500VAC, 50/60Hz, for 1 minute between current-carrying and non-current-carrying parts and between each terminal and ground
Vibration	10~55Hz, 1.5mm double amplitude
Shock	Mechanically: Approx. 1,000m/s ² (approx. 100G`s) Electrically: 500m/s ² (approx. 50G`s)
Ambient temperature	-10°C~+70°C
Humidity	Below 95%RH
Service life	Mechanically: 1,000 operations/min. Electrically: 20 operations/min.
Degree of protection	IEC: IP67
weight	Approx. 360g (cable 3m) Approx. 540g (cable 5m)