

LA39-G Push Button Switch 16mm Siemens APT

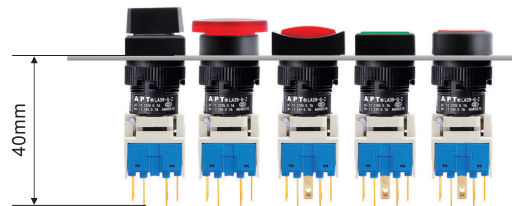
Performance Features

LA39-G series Pushbuttons are the latest products independently developed by us and have independent intellectual properties. This series of products have integrated the advantages of the like products and also made up the disadvantages of other products. Its delicate design, complete specifications, convenient installation, good visual appearance and reliable operation are the biggest advantages of this series of products.



Structural Features

LA39-G series Pushbuttons have applied the internationally popular modularized combination structure and mainly consist of two parts – operation actuators and contact modules. The actuator is designed with the smooth lines, ultrathin sizes, and various visual types. The protection class of IP 65 also has greatly enhanced the delicacy of the control panel.



Contact Performance

With our unique technical expertise, the contact module of LA39G series Pushbuttons has been designed into two-breakpoint quick-action structure, which has greatly improved the contact reliability and electrical breaking capacity. The contact is gold plated so that it can work reliably under the low-voltage and micro-current conditions. One module can provide a pair of independent NO and NC contacts. One Pushbutton can be installed with a maximum of three contact modules (3 pairs of NOcontacts + 3 pairs of NCcontacts).



LA39-G Push Button Switch 16mm Siemens APT

Basic Technical Parameters

Work Temperature	-25°C ~ +55°C		
Work Humidity	45~85%RH		
Contact Resistance	≤100mΩ		
Rated impulse Withstand Voltage Uimp	2000V AC		
Mechanical endurance	For normal pushbuttons 10×10 ⁵ times For selector switch 10×10 ⁴ times For emergency pushbutton 5×10 ⁴ times		
Electrical endurance	AC-15	100,000 times (1,200 times/hour)	
	DC-13	50,000 times (1,200 times/hour)	
Protection Class	IP65	Those with "TH" mark can work normally under the humid tropic environment.	
Action Travel	1.5~2.5mm		

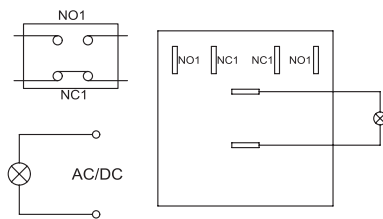
Maximum Contact Capacity

Rated Insulation Voltage Ui		250V		
Conventional Thermal Current Ith		5A		
Application Category	Rated Work Voltage Ue	24V	110V	220V
AC-15	Rated Work Current Ie	2A	1A	0.5A
DC-13		0.7A	0.2A	0.1A

Contact Types and Wiring Diagrams

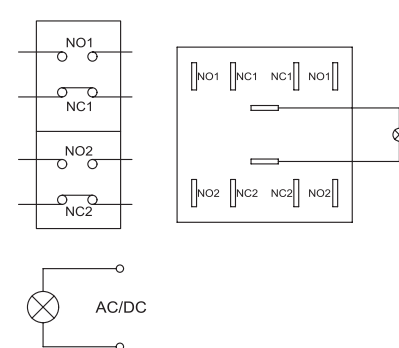
1 NO and 1 normally closed

Wiring diagram



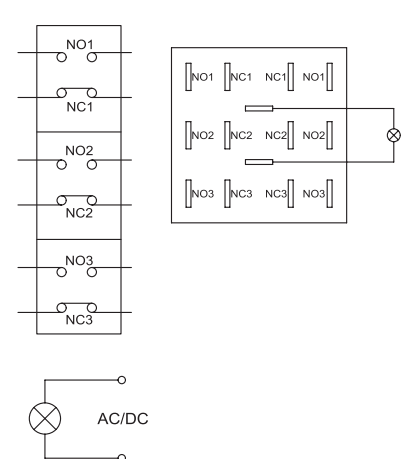
2 NO and 2 normally closed

Wiring diagram



3 NO and 3 normally closed

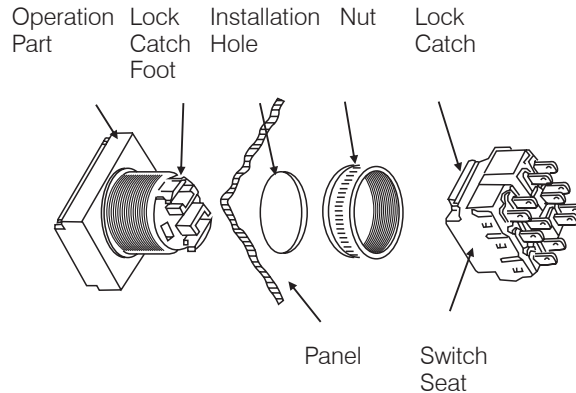
Wiring diagram



LA39-G Push Button Switch 16mm Siemens APT

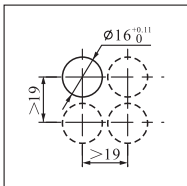
How to install?

The installation sequence is as follows: first pass the operation part through the panel hole and fix it after fastening the nuts. Then press the lock catch of the switch seat with the lock catch foot of the operation part together. Disassemble the switch seat only by pressing the lock catch of the switch seat towards the inner side.

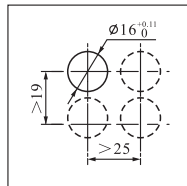


Installation Hole Size

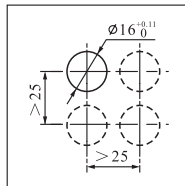
Round/Square Actuator Hole



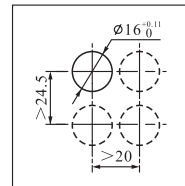
Rectangular Actuator Hole



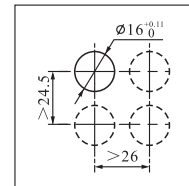
Mushroom Pushbutton and Emergency Stop Pushbutton Actuator Hole



Hole for Actuator with Installation Guard Cover F-I



Hole for Actuator with Installation Guard Cover F-II



Precautions

- There are two wiring methods, i.e. welding and plug-pull type. If plug-pull type wiring is adopted, it is suggested that the internationally common used plug bush (2.8×0.5 mm) shall be used and the jacket shall be installed.
- If the welding is required for the wiring:
 - Hand welding 25W, within 3 seconds.
 - Auto welding 240°C , within 3 seconds.

No external force shall be applied within 1 minute after being welded and then the jacket shall be installed. Do not use any solvent for welding in order to prevent it from entering the inside of the switch and damaging the products.

- The Pushbuttons shall be hand operated. It is prohibited to use any other tool for operation!

LA39-G Push Button Switch 16mm Siemens APT

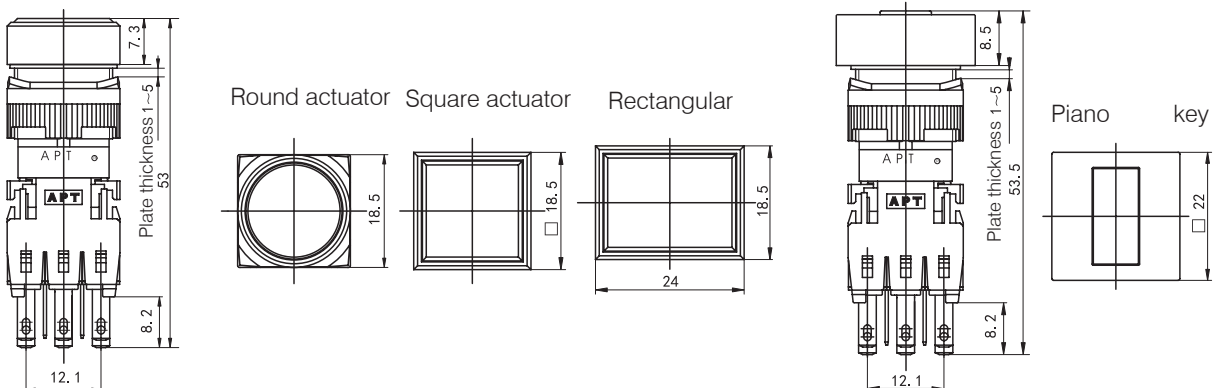
Model Selection

Name	Actuator Shape	Work Status	Contact	Model	Color
Pushbutton (Round)		Momentary	11	LA39-G11/□	red-r green-g yellow-y blue-b white-w
			22	LA39-G22/□	
			33	LA39-G33/□	
		Maintained	11	LA39-G11T/□	
			22	LA39-G22T/□	
			33	LA39-G33T/□	
Pushbutton (Square)		Momentary	11	LA39-G11F/□	
			22	LA39-G22F/□	
			33	LA39-G33F/□	
		Maintained	11	LA39-G11TF/□	
			22	LA39-G22TF/□	
			33	LA39-G33TF/□	
Pushbutton (Rectangular)		Momentary	11	LA39-G11J/□	
			22	LA39-G22J/□	
			33	LA39-G33J/□	
		Maintained	11	LA39-G11TJ/□	
			22	LA39-G22TJ/□	
			33	LA39-G33TJ/□	
Pushbutton (Piano Key)		Momentary	11	LA39-G11Q/□	
			22	LA39-G22Q/□	
			33	LA39-G33Q/□	
		Maintained	11	LA39-G11TQ/□	
			22	LA39-G22TQ/□	
			33	LA39-G33TQ/□	

Φ16 LA39-G Series Pushbutton Model Selection

Description: " □ " in the column of model is indicated with color

Appearance dimension



LA39-G Push Button Switch 16mm Siemens APT

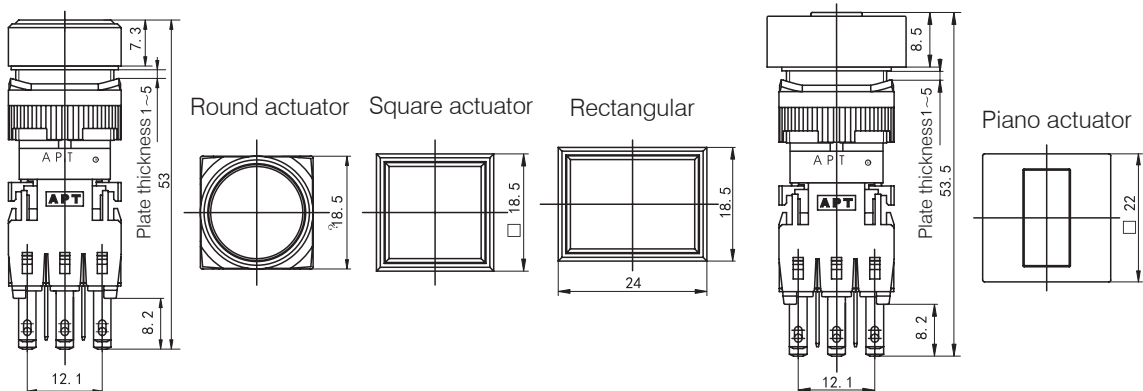
Illuminated Pushbuttons

Name	Actuator Shape	Work Status	Contact	Model	Lamp Voltage	Color
Illuminated Pushbutton (Round)		Momentary	11	LA39-G11D/□■	LED	red-r green-g yellow-y blue-b white-w
			22	LA39-G22D/□■		
			33	LA39-G33D/□■		
		Maintained	11	LA39-G11TD/□■		
			22	LA39-G22TD/□■		
			33	LA39-G33TD/□■		
Illuminated Pushbutton (Square)		Momentary	11	LA39-G11DF/□■	21-AC/DC 6V	
			22	LA39-G22DF/□■		
			33	LA39-G33DF/□■		
		Maintained	11	LA39-G11TDF/□■		
			22	LA39-G22TDF/□■		
			33	LA39-G33TDF/□■		
Illuminated Pushbutton (Rectangular)		Momentary	11	LA39-G11DJ/□■	22-AC/DC 12V 23-AC/DC 24V	
			22	LA39-G22DJ/□■		
			33	LA39-G33DJ/□■		
		Maintained	11	LA39-G11TDJ/□■		
			22	LA39-G22TDJ/□■		
			33	LA39-G33TDJ/□■		
Illuminated Pushbutton (Piano Actuator)		Momentary	11	LA39-G11DQ/□■	LED	red-r green-g yellow-y blue-b white-w
			22	LA39-G22DQ/□■		
			33	LA39-G33DQ/□■		
		Maintained	11	LA39-G11TDQ/□■		
			22	LA39-G22TDQ/□■		
			33	LA39-G33TDQ/□■		

LA39-G Series Small Button Model Selection

Description: " □ " in the column of model is indicated with color, " ■ " is indicated with the voltage class code.

Appearance dimension




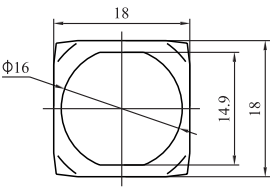
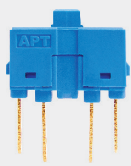
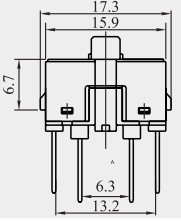

Φ16 LA39-G Series Pushbutton Accessories

Accessories

Name	Type	Model	Description	Function	Size
Guard Cover		F- I	It is used for round and square actuators	Prevent misoperation	
Guard Cover		F- II	It is used for rectangular actuators	Prevent misoperation	
Blanking plug		F-III	Plug the blank holes on the panel (round actuators)	For decoration	
Blanking plug		F-IV	Plug the blank holes on the panel (square actuators)	For decoration	
Blanking plug		F- V	Plug the blank holes on the panel (rectangular actuators)	For decoration	
LED Light Bead		F-D3/□▨	“ □ ” is indicated with color, “ ▨ ” is indicated with voltage code	The light source in the illuminated pushbuttons	
Fastening Nut		F-VIII	It is made of plastic	For fastening Ø16 pushbuttons and indicators	
		F-IX	It is made of metal		

LA39-G Push Button Switch 16mm Siemens APT

Accessories

Name	Type	Model	Description	Function	Size
Clamping Ring		F-X		Prevent the pushbutton rotation	
Contact Module		F-XI		For free combination of the contacts	
Simulation Device		F-XII		It is used to fill the positions where the contact modules are not installed	