

AC Axial Fan PD83B

80x80x38mm

General Information

Electric motor: Shaded pole AC motor design

Frame: The outside frame of the AC axial fan is made of high quality aluminium alloy

Anticorrosive and moisture-proof impeller: UL94V-0, 70% PBT, +30% FRP

Bearing: ball bearing

Insulation: Class B

Insulation impedance: The case adds 500V DC to the coils, insulation impedance is more than 100MΩ

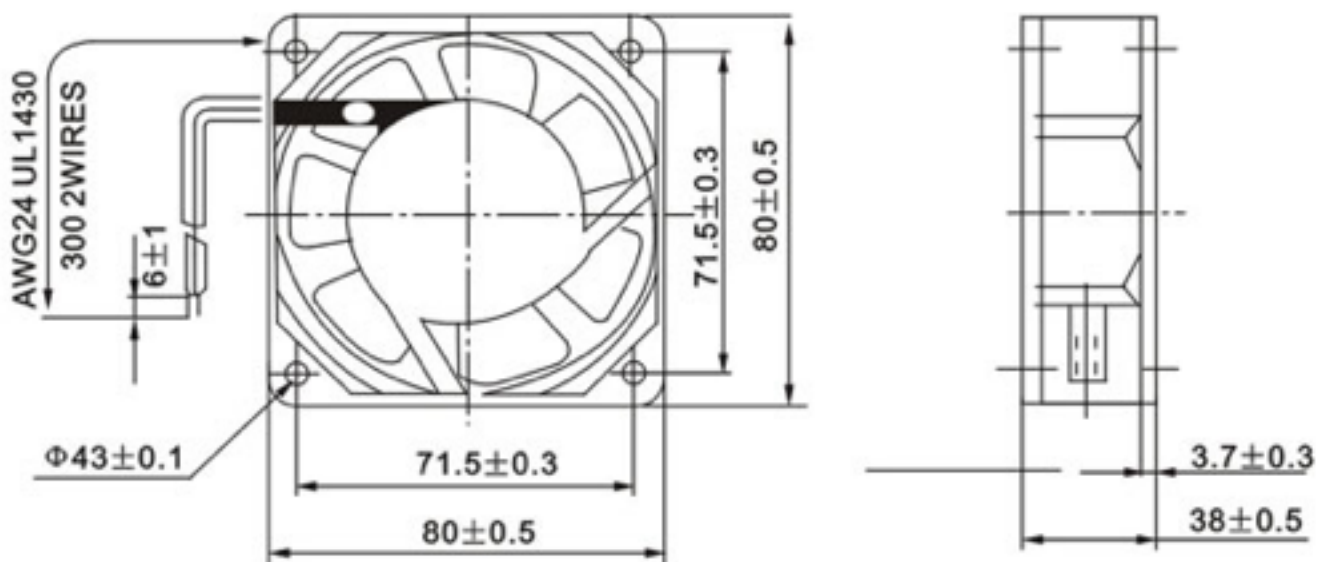
Dielectric strength: 0.5mA 1500V/AC min

Safety protection: Impedance protection

Operating temperature: -10 ~ +70°C

Storage temperature: -40 ~ +70°C

Outline drawing



Technical Parameters

Model	Voltage (AC)	Freq (Hz)	Current (AMP)	Power (Watts)	Speed (RPM)	Air Flow (CFM)/ M ³ /min	Pressure (Inch/ H ₂ O)	Noise (dBA)	Weight (Gram)
PD83B-110	115	50	0.15	15	2300	24/0.68	0.12	25.5	320
PD83B-110	115	60	0.13	11	2800	29.8/0.84	0.17	31.2	320
PD83B-220	230	50	0.07	16	2300	24/0.68	0.12	25.5	320
PD83B-220	230	60	0.06	12	2800	29.8/0.84	0.17	31.2	320