

AC Axial Fan PD80B

80x80x25mm

General Information

Electric motor: Shaded pole AC motor design

Frame: The outside frame of the AC axial fan is made of high quality aluminium alloy

Anticorrosive and moisture-proof impeller: UL94V-0, 70% PBT, +30% FRP

Bearing: ball bearing

Insulation: Class B

Insulation impedance: The case adds 500V DC to the coils, insulation impedance is more than 100MΩ

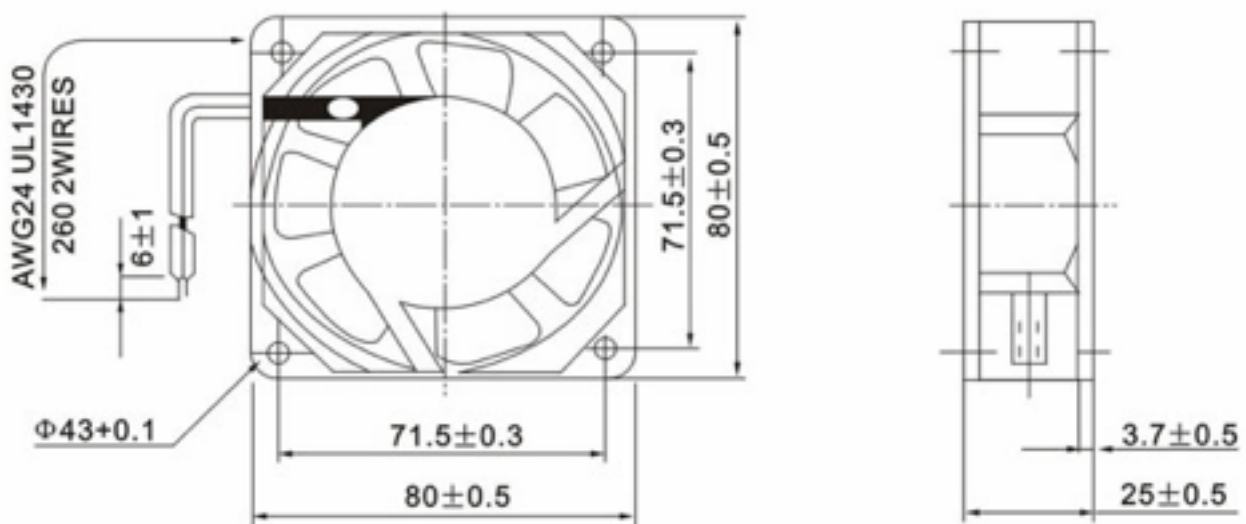
Dielectric strength: 0.5mA 1500V/AC min

Safety protection: Impedance protection

Operating temperature: -10 ~ +70°C

Storage temperature: -40 ~ +70°C

Outline drawing



Technical Parameters

Model	Voltage (AC)	Freq (Hz)	Current (AMP)	Power (Watts)	Speed (RPM)	Air Flow (CFM)/ M ³ /min	Pressure (Inch/ H ₂ O)	Noise (dBA)	Weight (Gram)
PD80B-110	115	50	0.14	15	2300	21/0.59	0.11	22	250
PD80B-110	115	60	0.13	11	2800	23/0.65	0.15	26.6	250
PD80B-220	230	50	0.08	16	2300	21/0.59	0.11	22	250
PD80B-220	230	60	0.07	12	2800	23/0.65	0.15	26.6	250