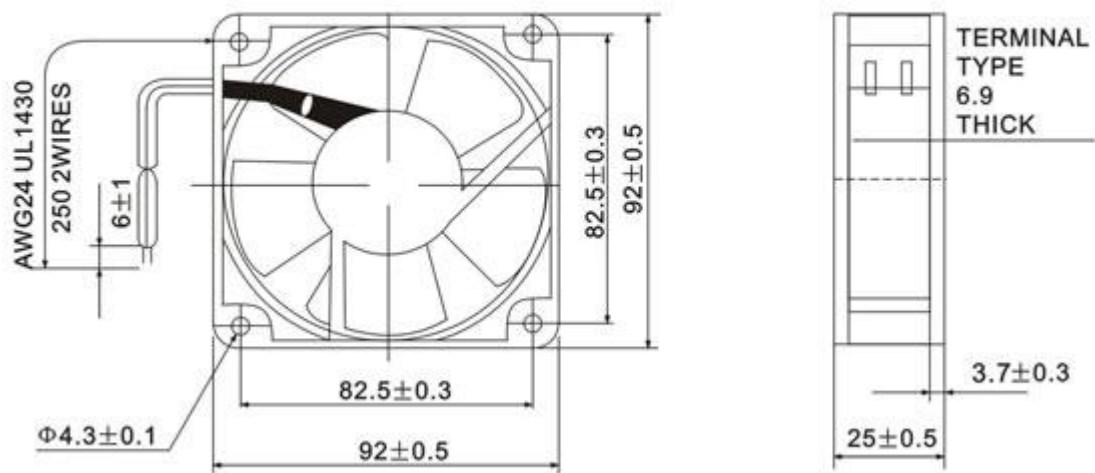


DC Axial Fan PD90B

92x92x25mm

Outline drawing



Technical Parameters

Model	Voltage (DC)	Current (AMP)	Power (Watts)	Speed (RPM)	Air Flow (CFM)	Pressure (Inch/H ₂ O)	Noise (dBA)	Weight (Gram)
PD90B-12	12	0.19	2.28	2375	29.37	1.71	30.32	82
PD90B-24	24	0.18	4.32	2520	25.48	2.03	32.23	82