

# AC Axial Fan PD90B

## 92x92x25mm

### General Information

Electric motor: Shaded pole AC motor design

Frame: The outside frame of the AC axial fan is made of high quality aluminium alloy

Anticorrosive and moisture-proof impeller: UL94V-0, 70% PBT, +30% FRP

Bearing: ball bearing

Insulation: Class B

Insulation impedance: The case adds 500V DC to the coils, insulation impedance is more than 100MΩ

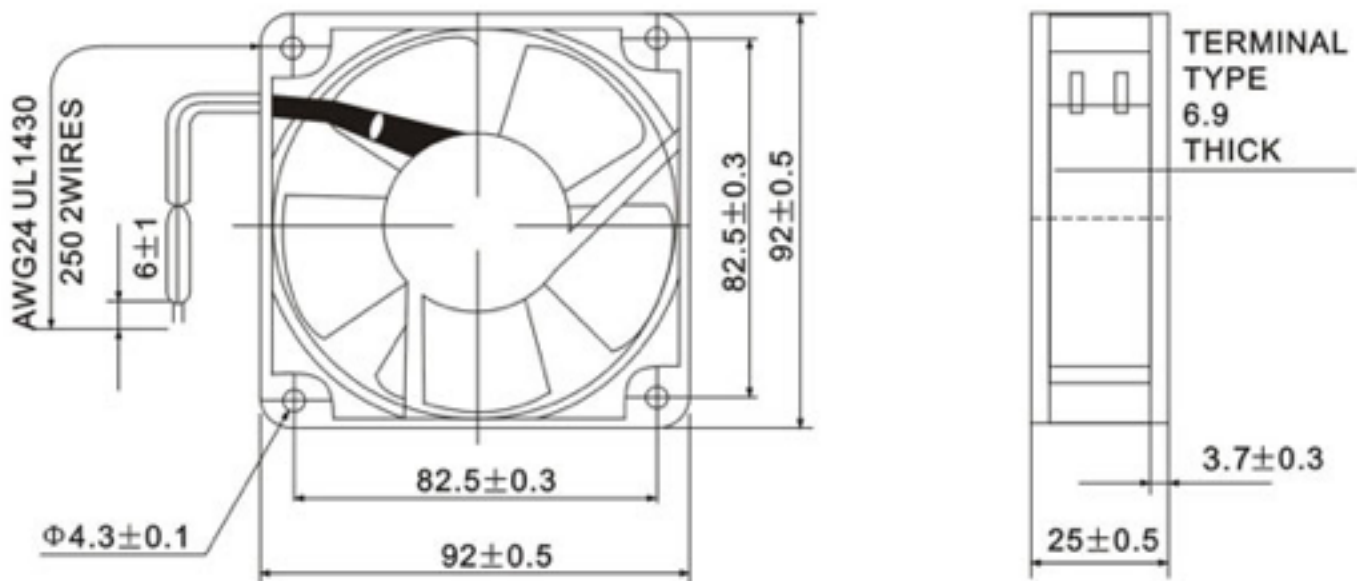
Dielectric strength: 0.5mA 1500V/AC min

Safety protection: Impedance protection

Operating temperature: -10 ~ +70°C

Storage temperature: -40 ~ +70°C

### Outline drawing



### Technical Parameters

Model	Voltage (AC)	Freq (Hz)	Current (AMP)	Power (Watts)	Speed (RPM)	Air Flow (CFM)/ M <sup>3</sup> /min	Pressure (Inch/ H <sub>2</sub> O)	Noise (dBA)	Weight (Gram)
PD90B-110	115	50	0.14	15	2300	25/0.70	0.12	23	270
PD90B-110	115	60	0.13	11	2700	27/0.76	0.14	24	270
PD90B-220	230	50	0.08	16	2300	25/0.70	0.12	23	270
PD90B-220	230	60	0.07	12	2700	27/0.76	0.14	24	270