

## AC Axial Fan PD157B 150x172x51mm

### General Information

Electric motor: Shaded pole AC motor design

Frame: The outside frame of the AC axial fan is made of high quality aluminium alloy

Anticorrosive and moisture-proof impeller: UL94V-0, 70% PBT, +30% FRP

Bearing: Sleeve bearing and ball bearing

Insulation: Class B

Insulation impedance: The case adds 500V DC to the coils, insulation impedance is more than 100MΩ

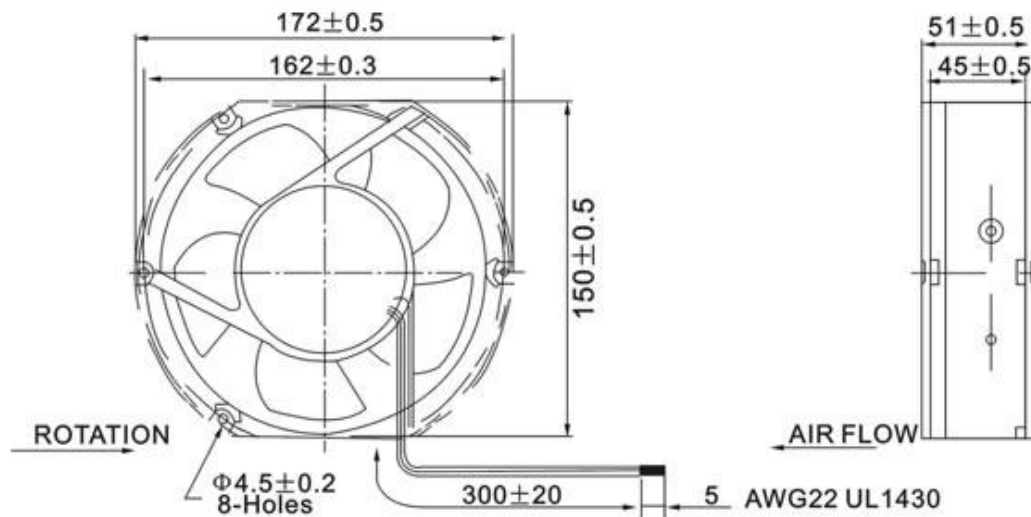
Dielectric strength: 0.5mA 1500V/AC min

Safety protection: Impedance protection

Operating temperature: -10 ~ +70°C

Storage temperature: -40 ~ +70°C

### Outline drawing



### Technical Parameters

Model	Voltage (AC)	Freq (Hz)	Current (AMP)	Power (Watts)	Speed (RPM)	Air Flow (CFM)/ M <sup>3</sup> /min	Pressure (Inch/ H <sub>2</sub> O)	Noise (dBA)	Weight (Gram)
PD157B-110	115	50/60	0.33/0.30	25/30	2500/2700	180/5.10 195/5.52	0.38/0.52	49.6/53	870
PD150B-220	230	50/60	0.18/0.25	25/40	2500/2800	180/5.10 201/5.70	0.38/0.54	49.6/55	870