

DC Axial Fan PD122B 120x120x25mm

General Information

Insulation resistance: more than 10mΩ between housing and plus end of lead wire red color at 500V DC.

Material

Frame: UL94V-0 70% P.B.T. +30% F.R.P

Impeller: UL94V-0 70% P.B.T.+30% F.R.P

Operating temperature: -10 to+70°C.

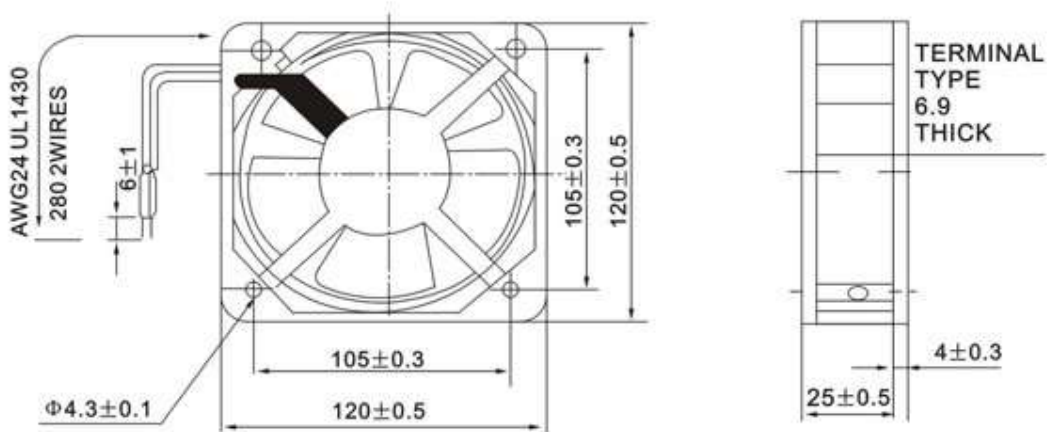
Storage temperature: -40 to+70°C.

Operating voltage: rated voltage ±15%.

Rated voltage: 5VDC, 12VDC, 24VDC, 48VDC

Ball Bearings

Outline drawing



Technical Parameters

Model	Voltage (VDC)	Current (AMP)	Power (Watts)	Speed (RPM)	Air Flow (CFM)	Pressure (Inch/H ₂ O)	Noise (dBA)	Weight (Gram)
PD122B12	12	0.33	3.96	2050	61.38	2.97	38.0	138
PD122B24	24	0.18	4.08	2050	61.38	2.97	38.0	138