

DC Axial Fan PD120B

120X120X38mm

General data of brushless DC axial fan

Insulation resistance: more than 10mΩ between housing and plus end of lead wire red colour at 500V DC.

Material

Frame: UL94V-0 70% P.B.T.+30% F.R.P

Impeller: UL94V-0 70% P.B.T.+30% F.R.P

Operating temperature: -10 to+70°C.

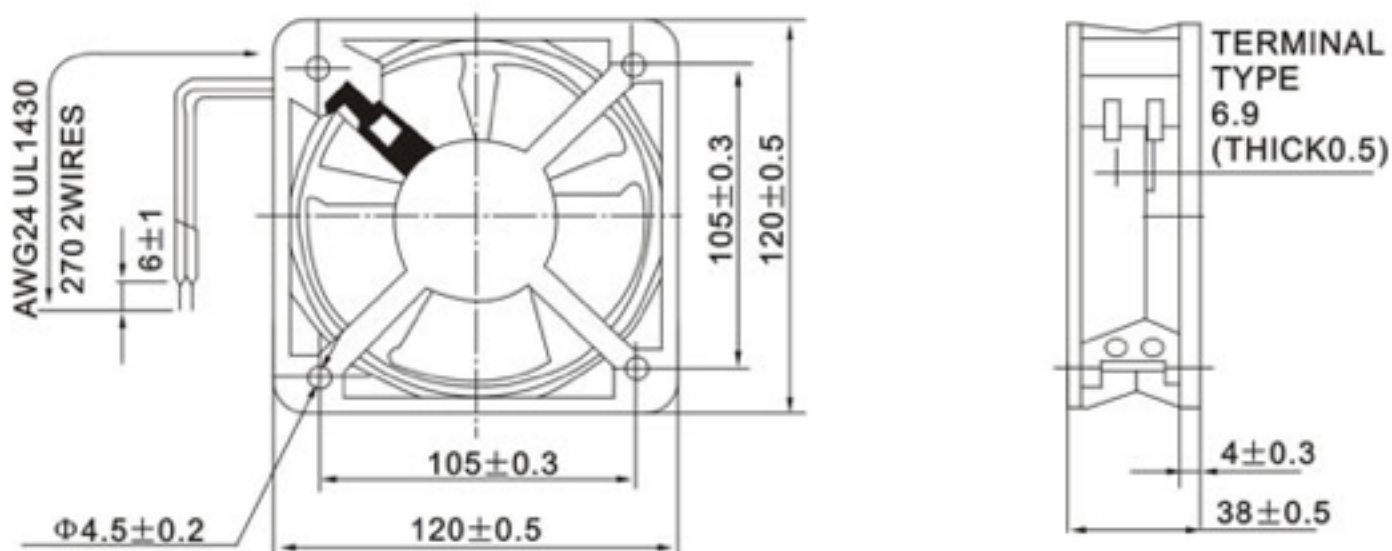
Storage temperature: -40 to+70°C.

Operating voltage: rated voltage±15%.

Rated voltage: 5VDC, 12VDC, 24VDC, 48VDC

Bearing: Ball bearing

Outline drawing



Technical Parameters

Model	Voltage (VDC)	Current (AMP)	Power (Watts)	Speed (RPM)	Air Flow (CFM)	Pressure (Inch/H ₂ O)	Noise (dBA)	Weight (Gram)
PD120S-12L	12	0.25	3.00	2000	85.58	4.83	37.0	138
PD120S-12M	12	0.35	4.20	2500	120.14	5.95	42.0	138
PD120S-12H	12	0.55	6.60	3000	125.06	7.15	47.0	138
PD120S-24L	24	0.20	4.80	2000	85.58	4.83	37.0	138
PD120S-24M	24	0.30	7.20	2500	102.14	5.95	42.0	138
PD120S-24H	24	0.40	9.60	3000	125.06	7.15	47.0	138

