

AC Axial Fan PD120B

120X120X38mm

UL Certificate (No. E312553).

General Information

Electric motor: Shaded pole AC motor design

Frame: The outside frame of the AC axial fan is made of high quality aluminium alloy

Anticorrosive and moisture-proof impeller: UL94V-0, 70% PBT, +30% FRP

Bearing: ball bearing

Insulation: Class B

Insulation impedance: The case adds 500V DC to the coils, insulation impedance is more than 100MΩ

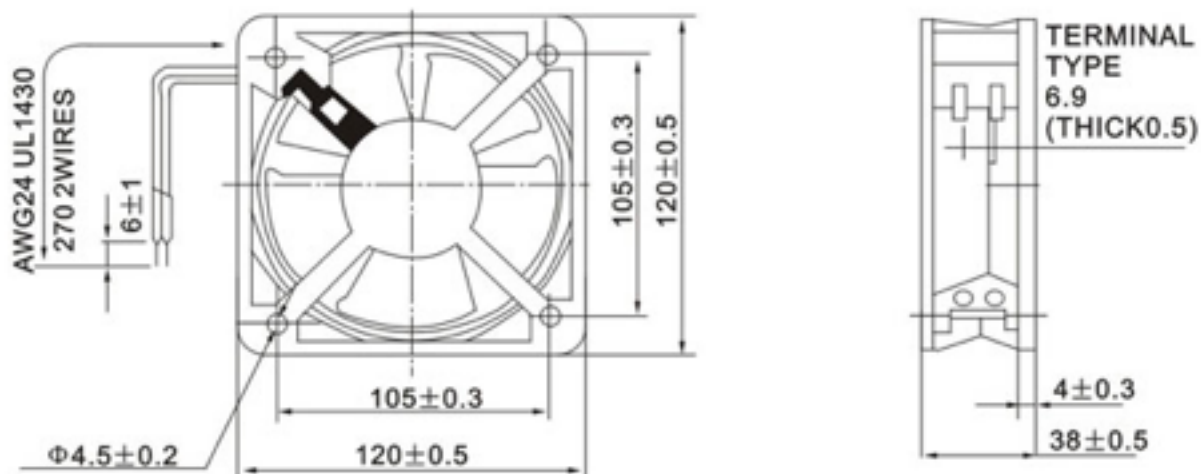
Dielectric strength: 0.5mA 1500V/AC min

Safety protection: Impedance protection

Operating temperature: -10 ~ +70°C

Storage temperature: -40 ~ +70°C

Outline drawing



Technical Parameters

Model	Voltage (AC)	Freq (Hz)	Current (AMP)	Power (Watts)	Speed (RPM)	Air Flow (CFM)/ M ³ /min	Pressure (Inch/ H ₂ O)	Noise (dBA)	Weight (Gram)
PD120B-110	115	50	0.25	25	2500	87/2.46	0.23	46.5	515
PD120B-110	115	60	0.23	20	2900	108/3.05	0.28	52.6	515
PD120B-220	230	50	0.14	25	2500	87/2.46	0.23	46.5	515
PD120B-220	230	60	0.12	20	2900	108/3.05	0.28	52.6	515
PD120B-380	380	50	0.14	25	2500	87/2.46	0.23	46.5	515
PD120B-380	380	60	0.12	20	2900	108/3.05	0.28	52.6	515