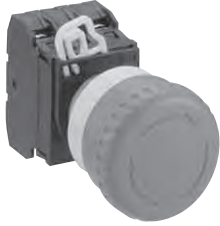
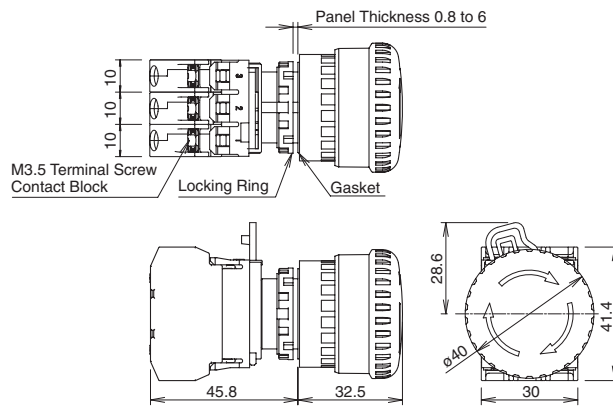


Emergency Stop Switches


Style	Operation	Contact	Type No.	Button Color Code
	Pushlock Pull/Turn Reset	1NC	YW1B-V4E01R	Red only
		2NC	YW1B-V4E02R	
		3NC	YW1B-V4E03R	
		1NO-1NC	YW1B-V4E11R	
		1NO-2NC	YW1B-V4E12R	
		2NO-1NC	YW1B-V4E21R	

Dimensions



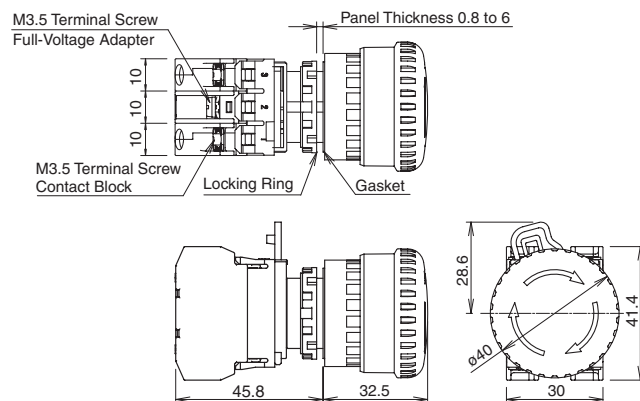
Note: The button is locked when pressed, and is reset when either pulled or turned clockwise.

Illuminated Emergency Stop Switches

Style	Illumination Type	Operation	Contacts	Type No.	③ Operating Voltage Code	Lens Color Code
	Without Lamp	Pushlock Pull/Turn Reset	1NC	YW1L-V4E01Q0R	0: without lamp 250V AC/DC max.	Red only
			2NC	YW1L-V4E02Q0R		
			1NO-1NC	YW1L-V4E11Q0R		
	LED		1NC	YW1L-V4E01Q③R	2: 6V AC/DC 3: 12V AC/DC 4: 24V AC/DC H: 110V AC/DC M3: 230/240V AC/DC	
			2NC	YW1L-V4E02Q③R		
			1NO-1NC	YW1L-V4E11Q③R		
	Incandescent		1NC	YW1L-V4E01Q③R	5: 6V AC/DC 6: 12V AC/DC 7: 24V AC/DC	
			2NC	YW1L-V4E02Q③R		
			1NO-1NC	YW1L-V4E11Q③R		

Note: Specify an operating voltage code in place of ③ in the Type No.

Dimensions



Note: The button is locked when pressed, and is reset when either pulled or turned clockwise.

All dimensions in mm.